

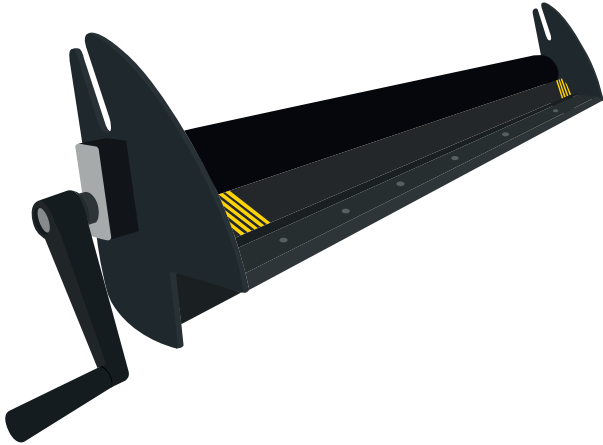
SP-APP

SPEED APPLICATOR

QUICK START GUIDE

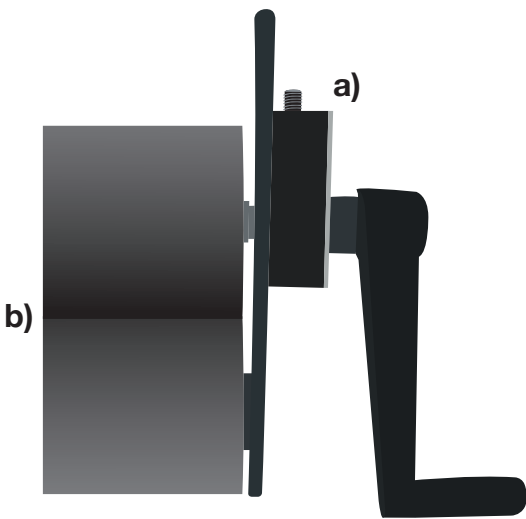


BEFORE YOU START



MOUNT ON YOUR WORK TABLE

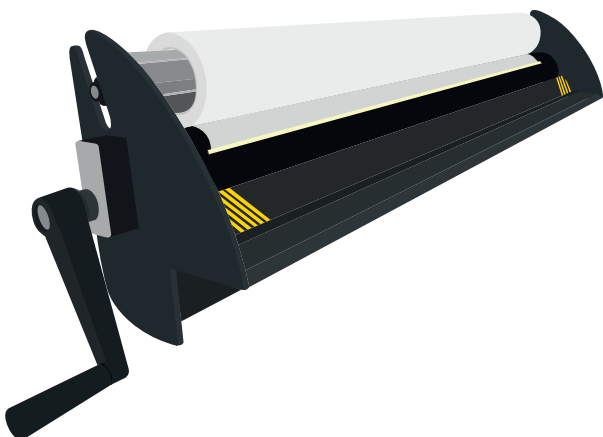
Start by installing the SP140 on your work table with 6 screws. Make sure you are at least 2 people to lift the machine and hold it until the screws are mounted on the table.



ADJUST THE PRESSURE

a) Start by adjusting the pressure on both sides of the roller, with the bolt that sits on top of the box.

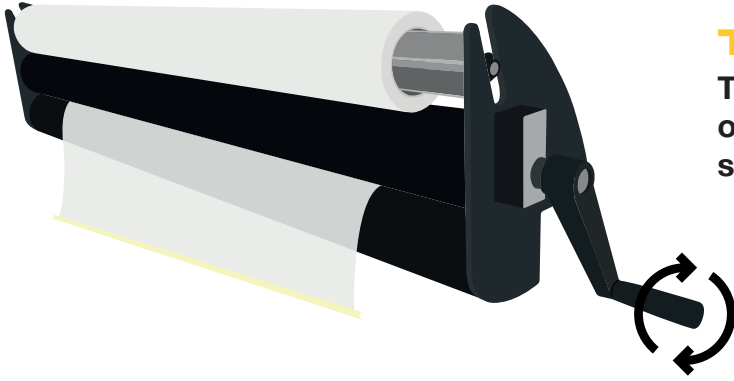
b) When you have tightened on both sides and the roller has closed, it is now the starting point for further adjustment of pressure to approx between 13-10mm as a general recommendation. Always remember to start with a low pressure and adjust until you have the best results. If the pressure is too high, you might get wrinkles on your application.



ADD YOUR APPLICATION

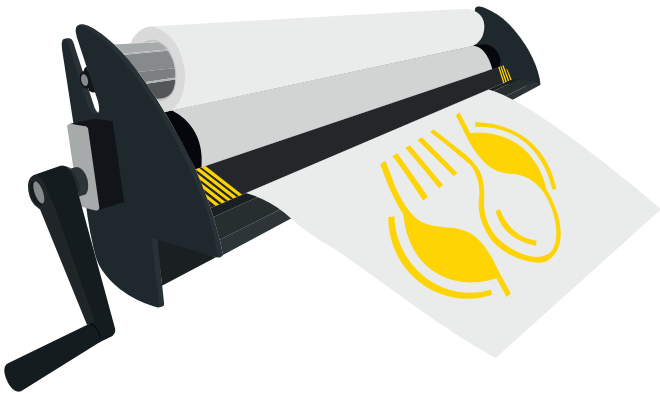
Start by adding your application on the profile and then place the holder with roller as shown. Attach your application with a piece of tape.

QUICK START



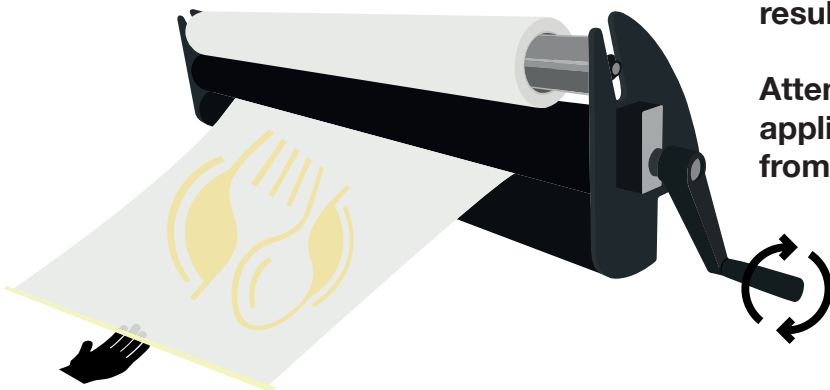
TURN THE HANDLE

Turn the handle until the application is pulled out on the back. Loosen the tape and pull slightly forward.



PLACE YOUR JOB

Place your job under the rail. Push your job forward to the roller with application.



APPLICATE YOUR JOB

Use the handle or pull manually. Remember to pull the job horizontally or a bit up. If you let it fall down against the floor, it can create a bad result.

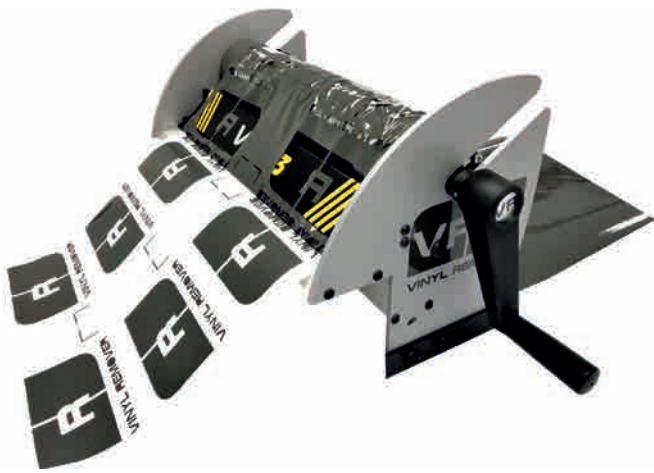
Attention! Always remember to lift the application from the lower roller to avoid it from going around the roller.

THE PERFECT COMBINATION

Peel your job with the Vinyl Remover and then add application tape to your job with the Speed Applicator!

PEEL YOUR JOB

Start by peeling your job with your Vinyl Remover.



APPLICATE YOUR JOB

Add the application tape on your job, nice and easy with your Speed Applicator.

